

## IP RAINBOW SERIES

Provision-ISR's Rainbow cameras, equipped with CNV (Color Night Vision) technology, yield sharp and superior colors even in poor light conditions, providing visual details that significantly contribute to identifying people or objects.



# DH-340SRN-MVF

## 24/7 FULL-COLOR 4MP MOTORIZED LENS DOME CAMERA WITH HYBRID 40M IR AND WHITE LED

The rainbow camera series is equipped with super light-sensitive sensors that allow the camera to provide a color image throughout the day. When the ambient light is insufficient, the camera will turn on the integral lighting, allowing it to continue providing a full-color image. The Hybrid solution enables you to choose between standard IR that provides a B&W image and white LED that provides a colorful image. With its outstanding performance, reliability, and affordable price, the DH-340SRN-MVF camera is the perfect solution for indoor/outdoor installations.



### MAIN FEATURES

- 4MP
- RAINBOW
- S-SIGHT
- 2592×1520 Resolution
- 2.8-12mm Motorized Vari-Focal (105.4°-34° )
- 3D-DNR
- IP67
- Audio in + Built-in microphone

### ANALYTICS

- General Analytics: Camera Tampering
- Standard Analytics: Line Crossing, Sterile Area

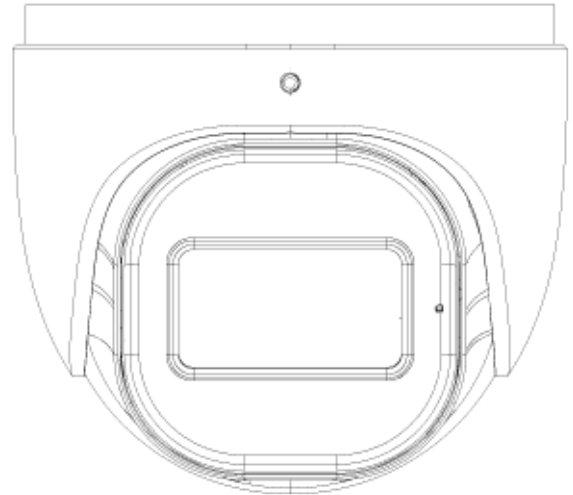
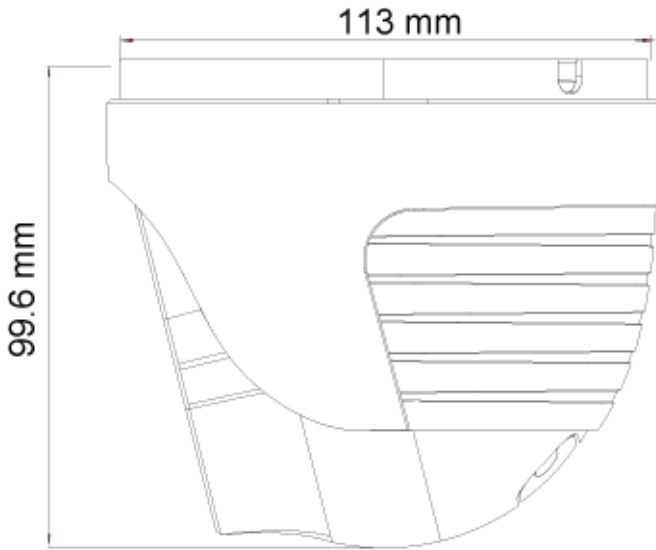
## SPECIFICATIONS

|                      |  |
|----------------------|--|
| Image Sensor         | 1/2.8" CMOS (16:9)   |
| Effective Pixels     | 2592x1520  |
| Electronic Shutter   | 1/25s ~ 1/100000s  |
| Frame Rate           | 1-25/30 FPS  |
| Min. Illumination    | Day: 0.1lux / Night: 0.002lux (@F1.0, AGC on) 0lux with IR on  |
| D&N                  | ICR + 24/7 Full-Color Day Mode   |
| Audio Compression    | G.711A/G.711U  |
| Communication        | One-way Audio  |
| Image Settings       | AWB, AGC Adjustable, Exposure Mode (Auto)<br>Sharpness, Saturation, Brightness & Contrast Adjustable   |
| Image Enhancement    | True WDR (120dB), BLC, HLC, ROI  |
| Noise Reduction      | 3D-DNR   |
| Image Orientation    | Mirror/Flip  |
| Privacy Zone         | Yes  |
| Motion Detection     | Yes  |
| Analytics            | General Analytics: Camera Tampering<br>Standard Analytics: Line Crossing, Sterile Area   |
| Video Compression    | H.265 / H.264 / H.265+ / H.264+ / MJPEG*   |
| Resolution           | 4MP (2560x1440) / 3MP (2304x1296) / 2MP (1920x1080) / D1 / QVGA / CIF  |
| Multi-Stream         | Master Stream: 4MP (2560x1440) / 3MP (2304x1296) / 2MP (1~30fps)<br>Substream: 1MP (1~12/15fps) / D1/CIF (1~30fps)<br>Third Stream: D1/CIF (1~30fps) |
| Bit rate             | 64Kbps ~ 5Mbps@H.265 / 64Kbps ~ 5Mbps@H.264  |
| Encode Mode          | VBR/CBR  |
| Image Quality        | Five levels under VBR; Free adjustment under CBR   |
| IR Distance          | 40m (1 High-Power IR LED)<br>40m (2 High-Power White LEDs)   |
| Lens (Field of View) | 2.8-12mm MVF with Auto Focus (105.4°-34°)  |

## SPECIFICATIONS

|                     |   |
|---------------------|---|
| Iris                | Fixed Iris  |
| Lens Mount          | M12 mount   |
| Protection Rate     | Water Proof: IP67   |
| Bracket             | 3-Axis Bracket  |
| Dimensions          | Ø113mm×99.6mm   |
| Weight (gross)      | ~640g   |
| Network             | RJ45 (+PoE)   |
| Power               | DC Socket   |
| Analog Video Output | No  |
| Audio Connectivity  | Built-in Microphone + Audio Input   |
| SD Card             | Event/Schedule based Main/Substream recording (Up to 128Gb)                                       |
| Hard Reset Button   | Yes   |
| Alarm               | No  |
| Remote Monitoring   | Web Browsing, Ossia VMS Software, Provision Cam2 Mobile App                                       |
| User Access         | Supports simultaneous monitoring of up to 3 users with multi-stream real-time transmission        |
| Network Protocol    | IPv4, IPv6, TCP, UDP, DHCP, NTP, DDNS, 802.1X, RTSP, Multicast, UPnP, Email, FTP, HTTPS, QoS, P2P |
| ONVIF               | Yes   |
| Ethernet            | 100Mbps   |
| PoE                 | Yes   |
| Power Supply        | DC12V/~780mA / PoE/~7.4W  |
| Work Environment    | -30°C~60°C, 10%~90% Humidity  |
| Junction Box        | PR-JB14IP66 - PR-JB14IP64 - PR-WB-A   |

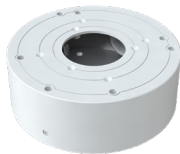
## DIMENSIONS



## ACCESSORIES



PR-JB14IP66



PR-JB14IP64



PR-WB-A